



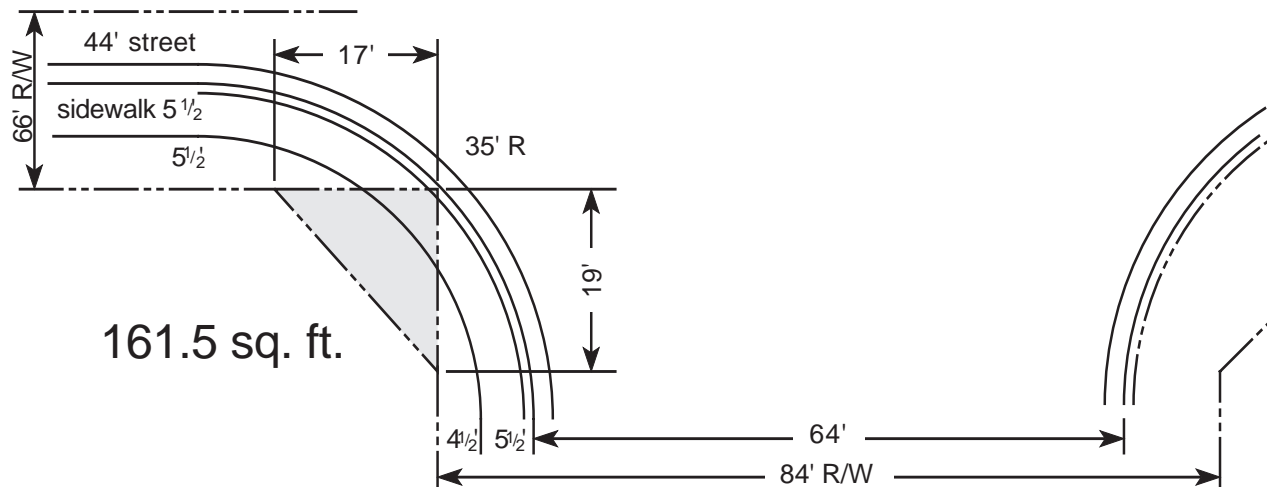
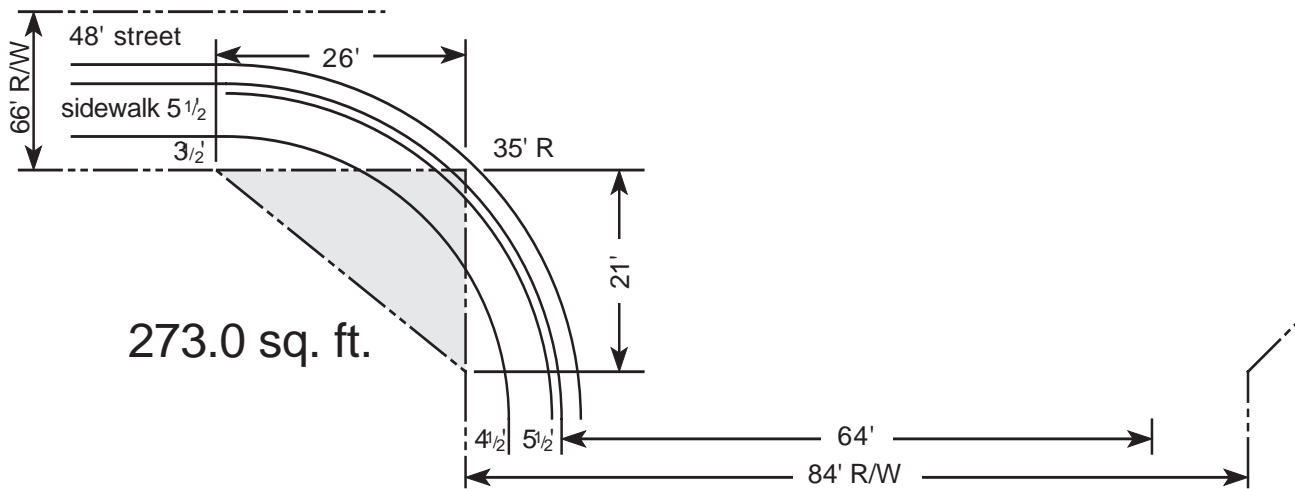
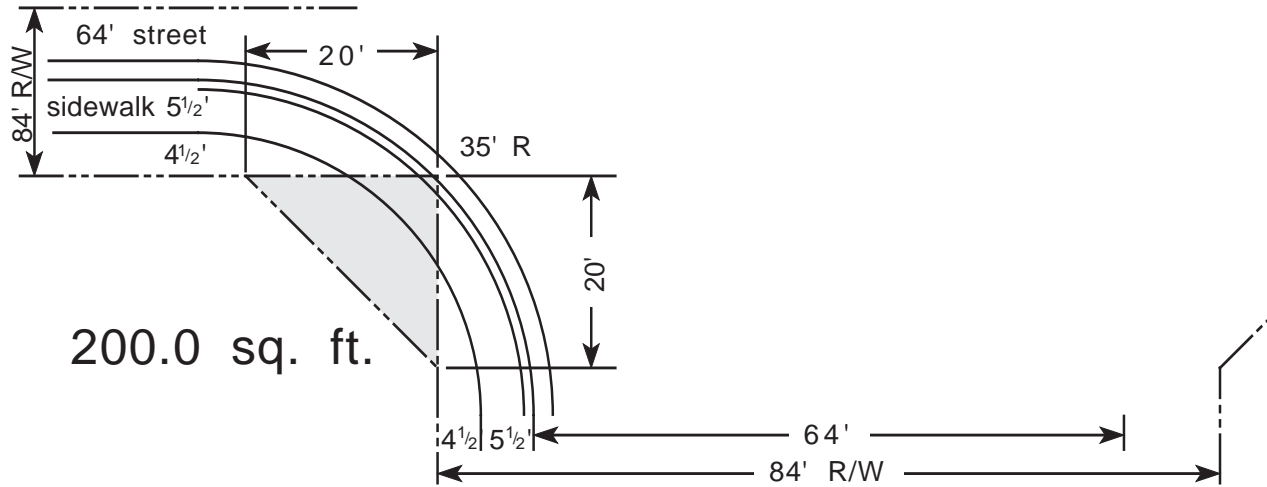
Standard

page 1 of 1

Section E1.g1

of the Division of Transportation
Salt Lake City Community Development

Typical Minor Arterial 35ft R Curb Return R/W



| Date | Revisions |
|---------|---------------------------|
| 8/12/91 | changed layout/assigned # |